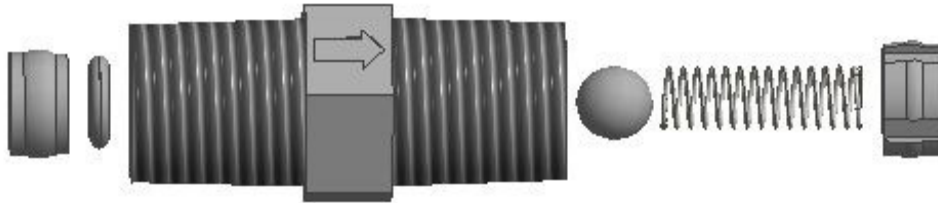




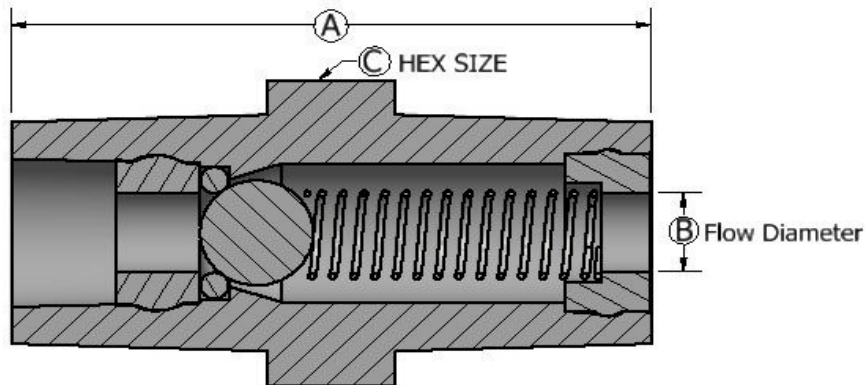
JACO

Check Valves



JACO PART NO.	MATERIAL	MALE PIPE NPT	A $\pm 1/64$	B $\pm 1/64$	C $\pm 1/64$
CV-2 K	PVDF	1/8	1	3/32	7/16
CV-4 K	PVDF	1/4	1-13/32	3/16	5/8
CV-6 K	PVDF	3/8	1-1/2	1/4	13/16
CV-8 K	PVDF	1/2	1-51/64	11/32	15/16

All dimensions in inches



- Viton "O" Ring
- Stainless Ball & Spring (Grade 316)
- Maximum Operating Temp. 180F @ 220 P.S.I.
- Cracking Pressure 1- 2.5 P.S.I.
- Zero Leakage
- Male Pipe NPT Style
- All valves 100% tested prior to shipment

“ Corrosive Conditions ”

- Hastelloy Spring
- Teflon Ball

“ Additional “O” Ring Options ”

- Fluorosilicone (Blue)
- EDPM (Ethylene Propylene Diene)

Contact us for alternative configurations and applications

- Specialists in the design and manufacturing of close tolerance parts
- Insert molding capabilities

Jaco Manufacturing Company

• 440-234-7007 Fittings Fax • 440-234-4000 Phone • 800-229-JACO Toll-Free

www.jacomfg.com